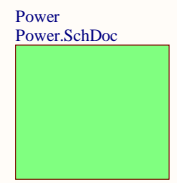


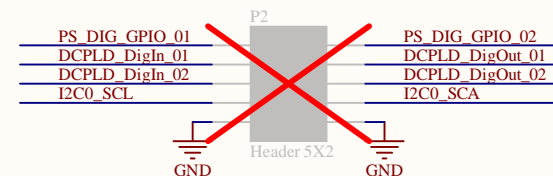
Serial1  
Serial  
Serialnumber 6,3 x 6.3mm  
  
ProjectName1  
  
Laser1  
Logo Laser  
Voll\_Laser

Cannot open file  
D:\FAUbox\Ultra-Zohm  
(Sebastian)  
Project Logo



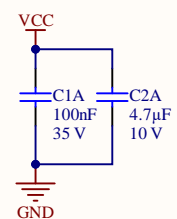
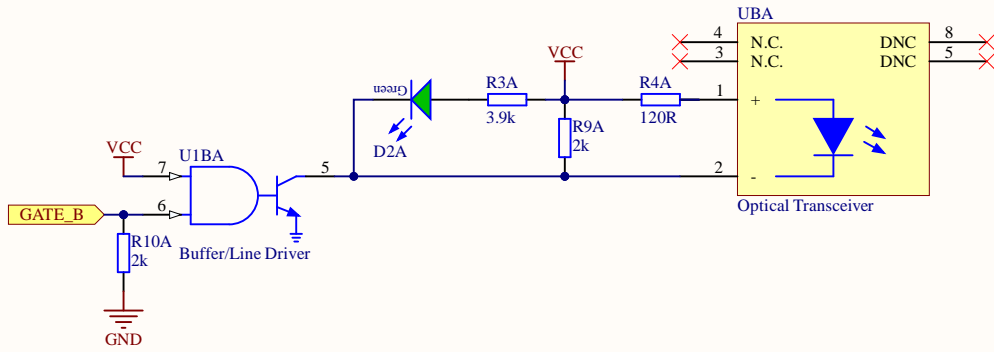
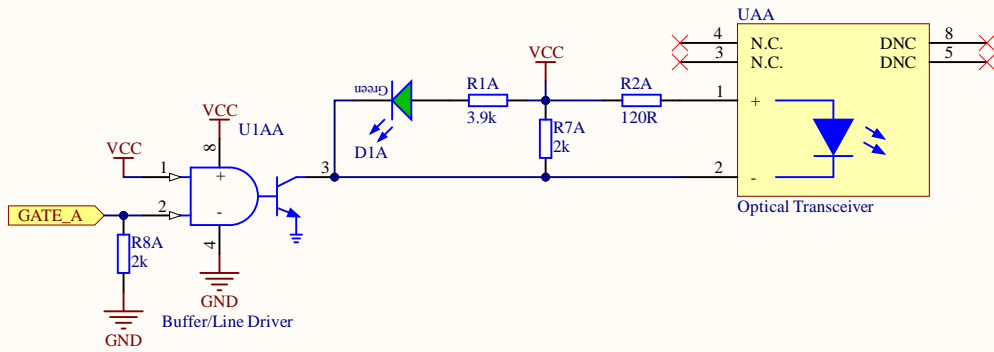
Title TopSheet.SchDoc		Technische Universität München TUM EAL	
Size: A4		Arcisstraße 21	
Revision: 3v01		80333 München	
Date: 11.03.2021		GERMANY	
Time: 20:25:11		Sheet 1 of 12	Author: T. Kreppel
Project: Digital_Optical_18Tx_14Tx4Rx_3vxx.PriPCB			





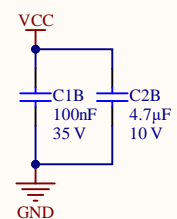
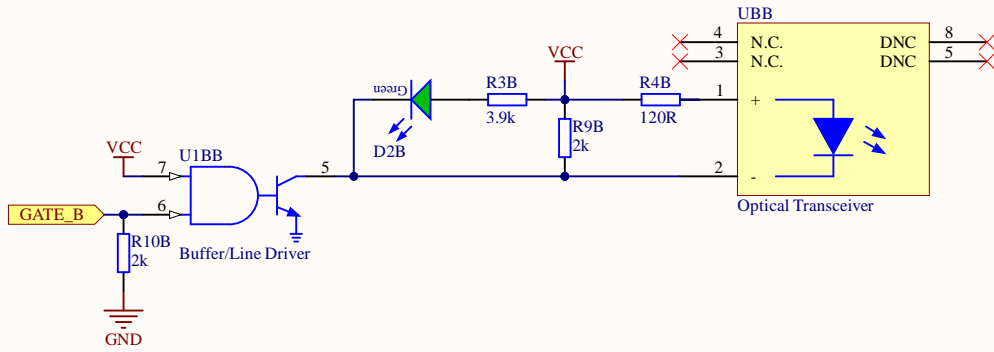
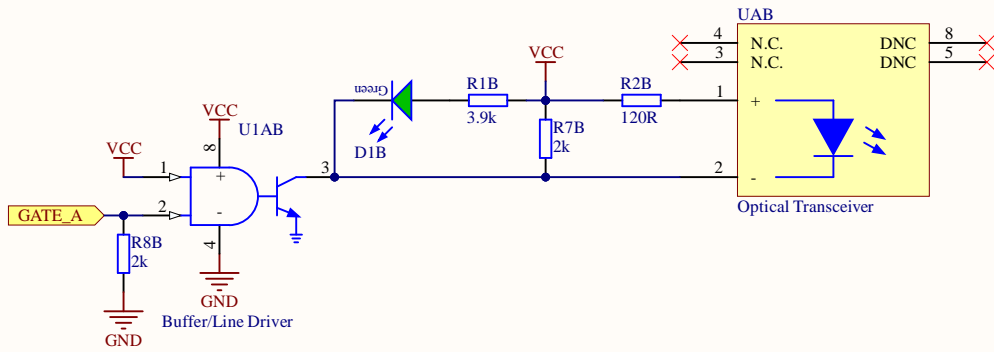
Title CarrierConnector.SchDoc		Technische Universität München TUM EAL	
Size: A4		Arcisstraße 21	
Revision: 3v01		80333 München	
Date: 11.03.2021		GERMANY	
Time: 20:25:11		Author: T. Kreppel	
Sheet 2 of 12		Project: Digital_Optical_18Tx_14Tx4Rx_3vxx.PriPCB	





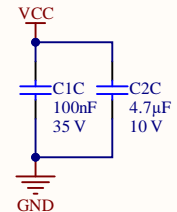
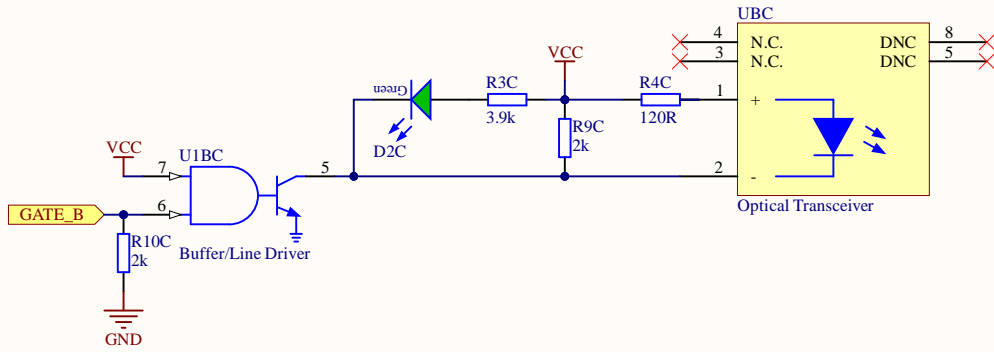
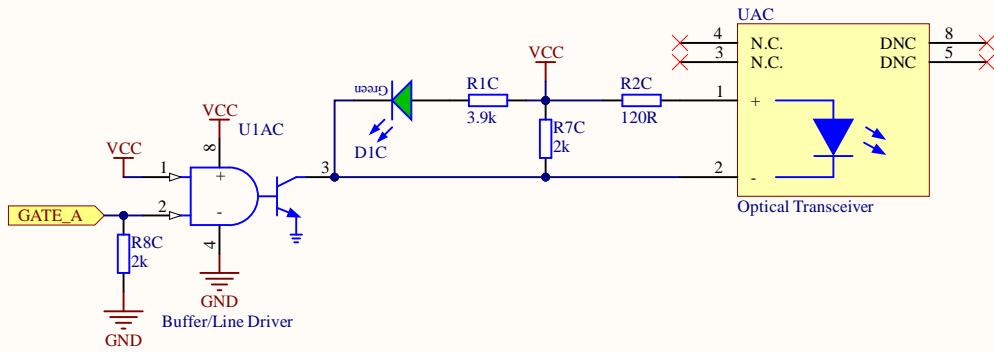
Title: Optical_TX.SchDoc		Technische Universität München TUM EAL	
Size: A4		Arcisstraße 21	
Revision: 3v01		80333 München	
Date: 11.03.2021		GERMANY	
Time: 20:25:11		Sheet 4.1 of 12	Author: T. Kreppel
Project: Digital_Optical_18Tx_14Tx4Rx_3vxx.PrjPCB			





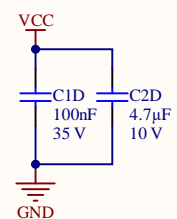
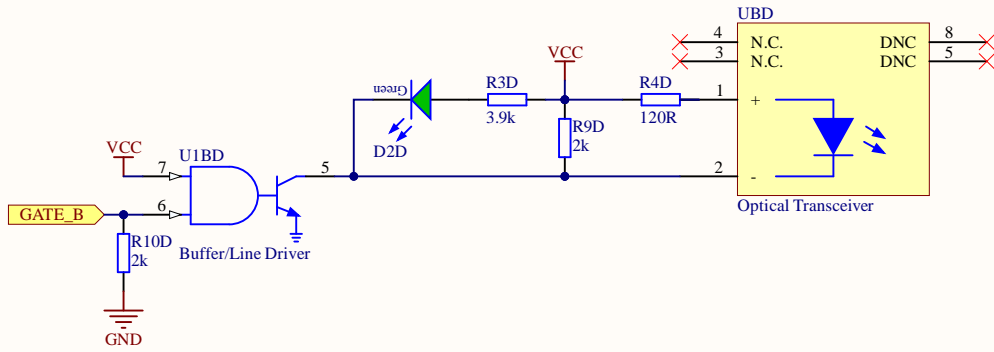
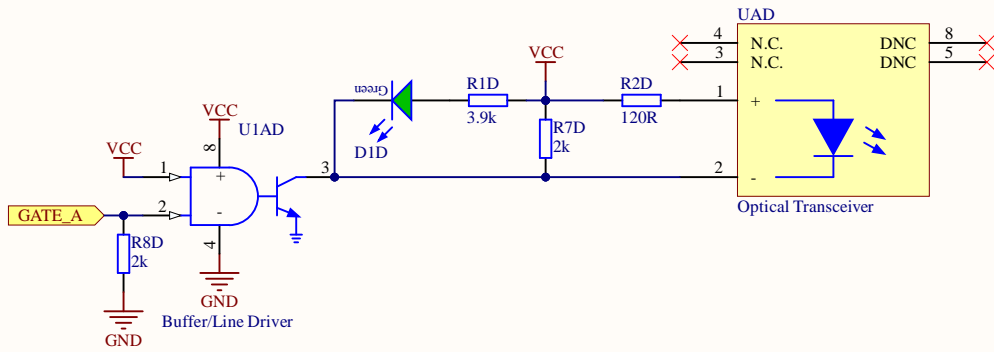
Title: Optical_TX.SchDoc		Technische Universität München TUM EAL	
Size: A4		Arcisstraße 21	
Revision: 3v01		80333 München	
Date: 11.03.2021		GERMANY	
Time: 20:25:11		Sheet 4.2 of 12	Author: T. Kreppel
Project: Digital_Optical_18Tx_14Tx4Rx_3vxx.PrjPCB			





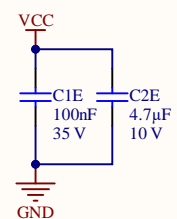
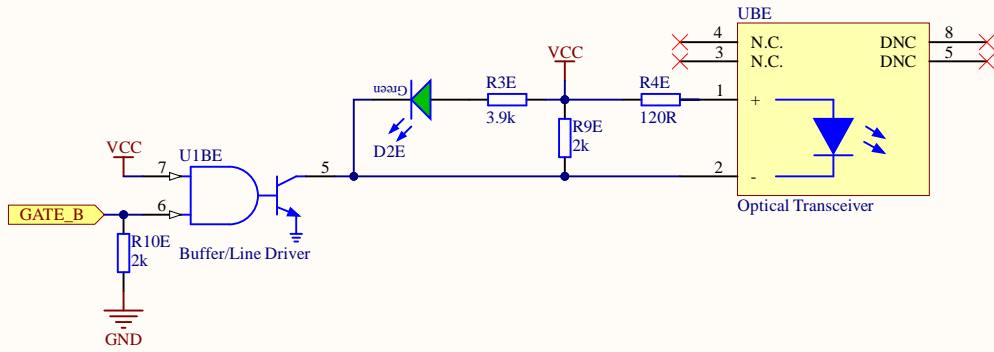
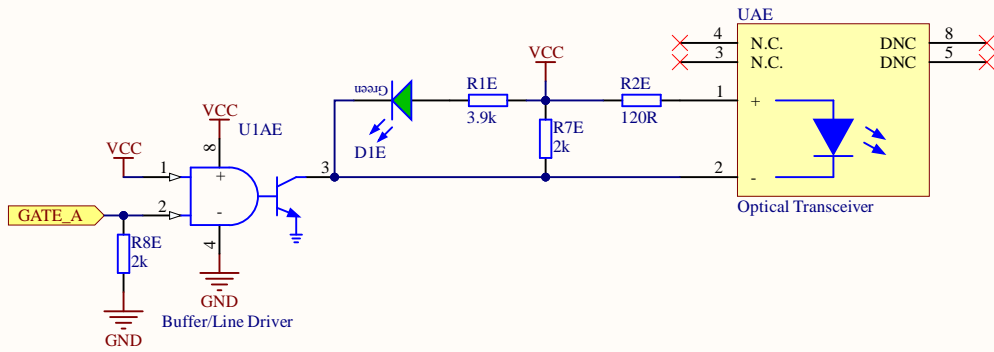
Title: Optical_TX.SchDoc		Technische Universität München TUM EAL	
Size: A4		Arcisstraße 21	
Revision: 3v01		80333 München	
Date: 11.03.2021		GERMANY	
Time: 20:25:11		Sheet 4.3 of 12	Author: T. Kreppel
Project: Digital_Optical_18Tx_14Tx4Rx_3vxx.PrjPCB			





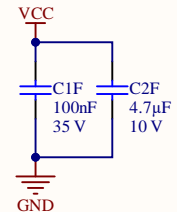
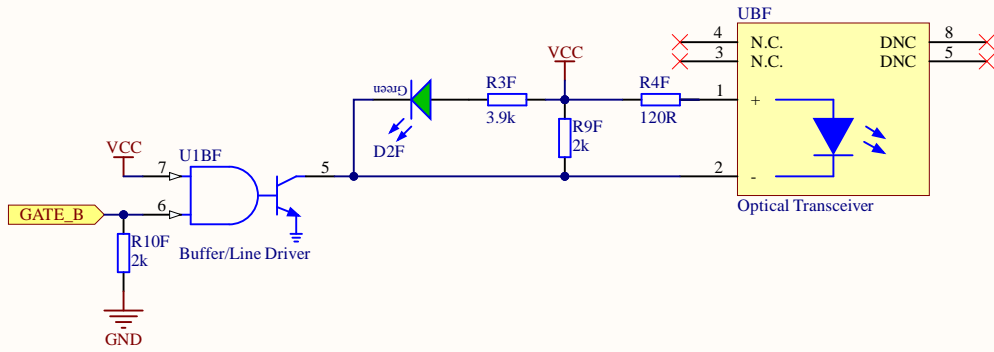
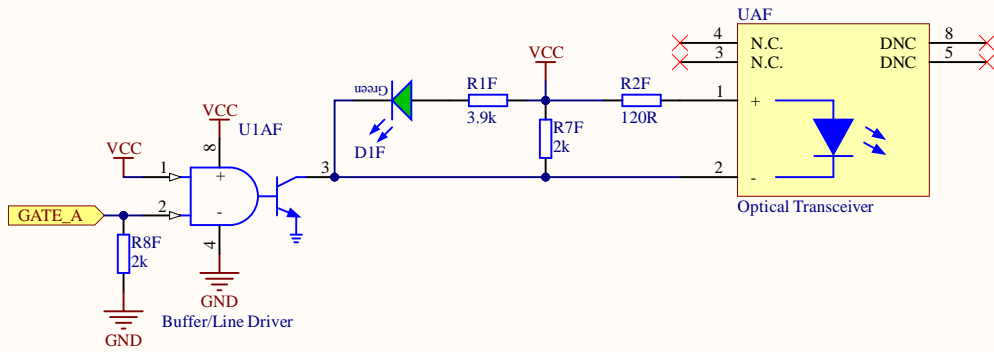
Title Optical_TX.SchDoc		Technische Universität München TUM EAL	
Size: A4		Arcisstraße 21	
Revision: 3v01		80333 München	
Date: 11.03.2021		GERMANY	
Time: 20:25:11		Author: T. Kreppel	
Project: Digital_Optical_18Tx_14Tx4Rx_3vxx.PrjPCB			





Title: Optical_TX.SchDoc		Technische Universität München TUM EAL	
Size: A4		Arcisstraße 21	
Revision: 3v01		80333 München	
Date: 11.03.2021		GERMANY	
Time: 20:25:11		Sheet 4.5 of 12	Author: T. Kreppel
Project: Digital_Optical_18Tx_14Tx4Rx_3vxx.PrjPCB			

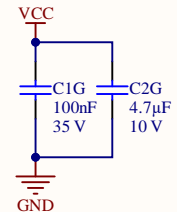
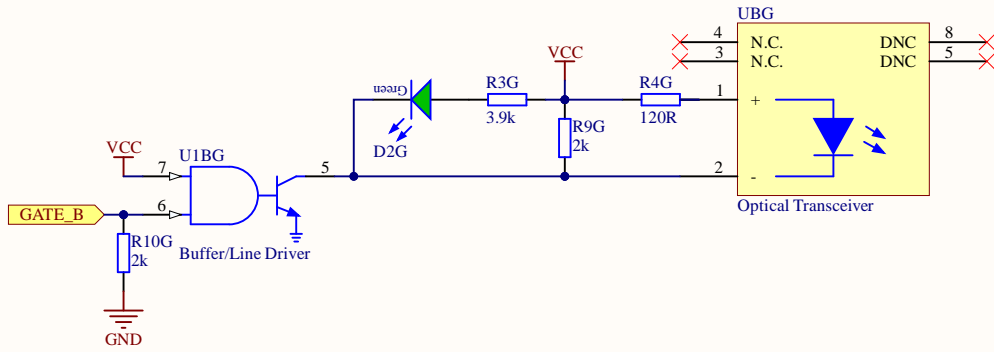
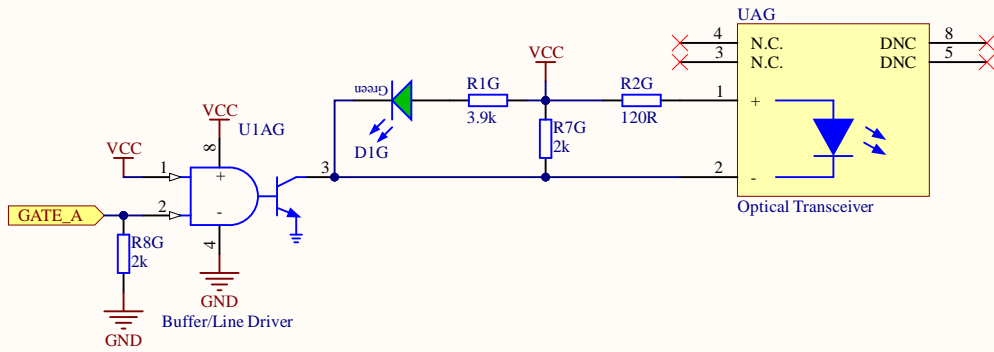




Title Optical_TX.SchDoc		Technische Universität München TUM EAL	
Size: A4		Arcisstraße 21	
Revision: 3v01		80333 München	
Date: 11.03.2021		GERMANY	
Time: 20:25:11		Sheet 4.6 of 12	Author: T. Kreppel
Project: Digital_Optical_18Tx_14Tx4Rx_3vxx.PrjPCB			

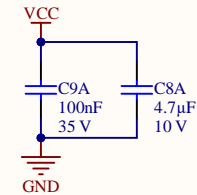
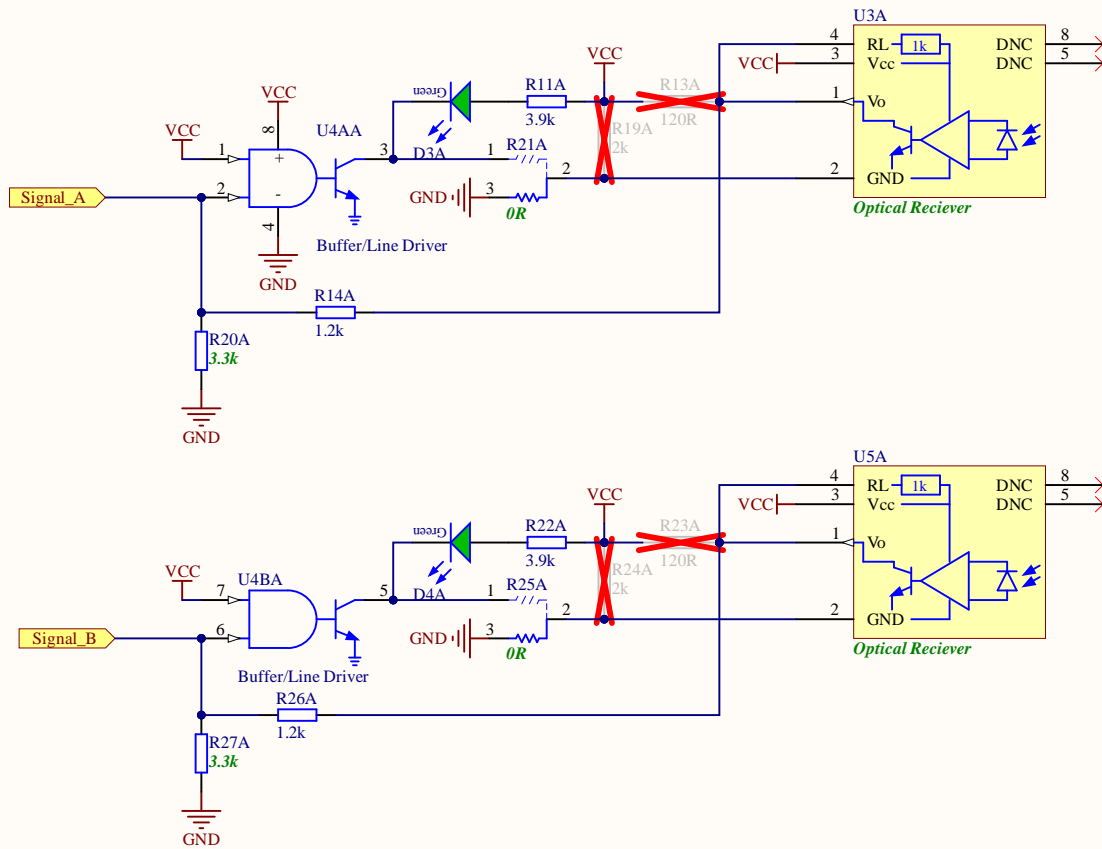






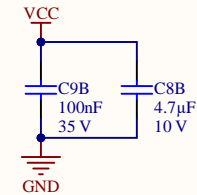
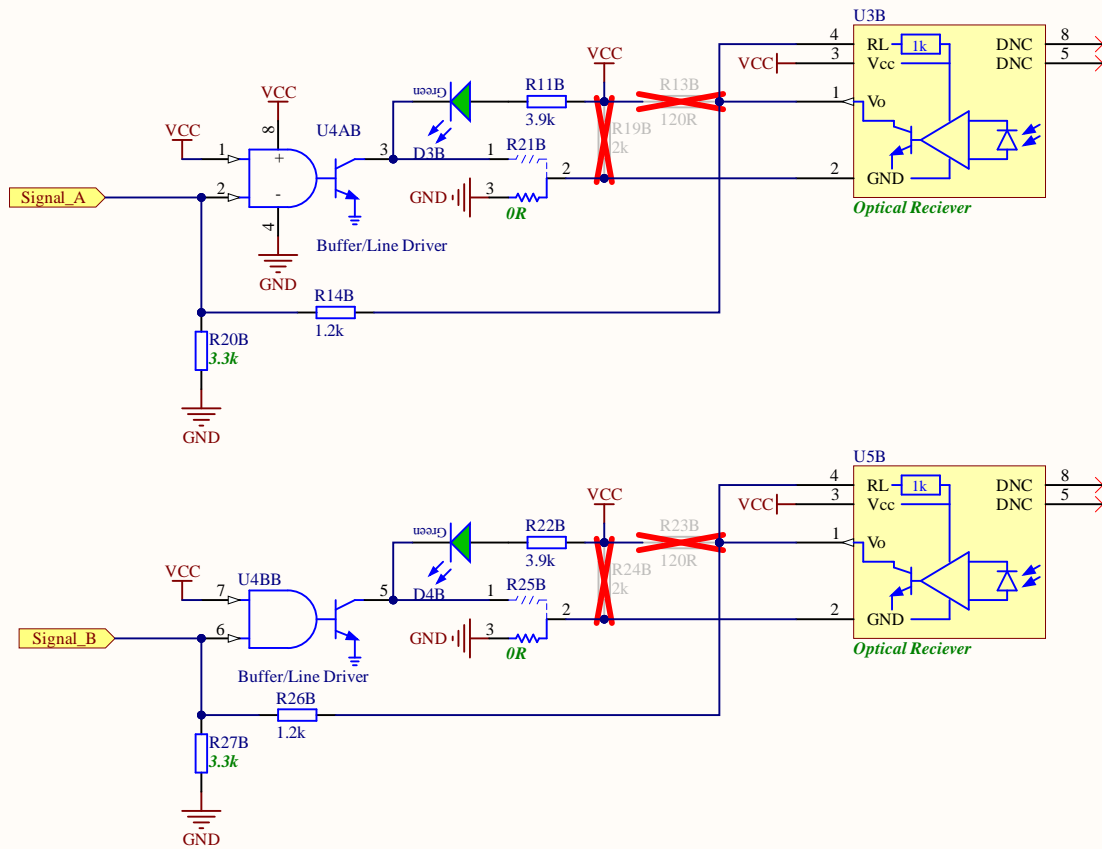
Title Optical_TX.SchDoc		Technische Universität München TUM EAL	
Size: A4		Arcisstraße 21	
Revision: 3v01		80333 München	
Date: 11.03.2021		GERMANY	
Time: 20:25:11		Author: T. Kreppel	
Project: Digital_Optical_18Tx_14Tx4Rx_3vxx.PrjPCB			





Title: Optical_RX.SchDoc		Technische Universität München TUM EAL	
Size: A4		Arcisstraße 21	
Revision: 3v01		80333 München	
Date: 11.03.2021		GERMANY	
Time: 20:25:11		Sheet 5.1 of 12	Author: T. Kreppel
Project: Digital_Optical_18Tx_14Tx4Rx_3vxx.PrjPCB			

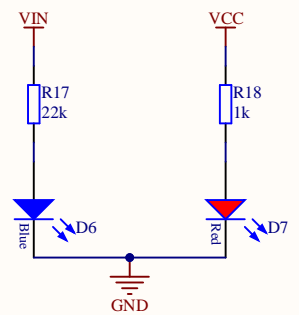
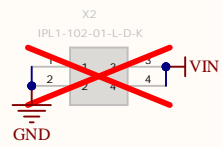
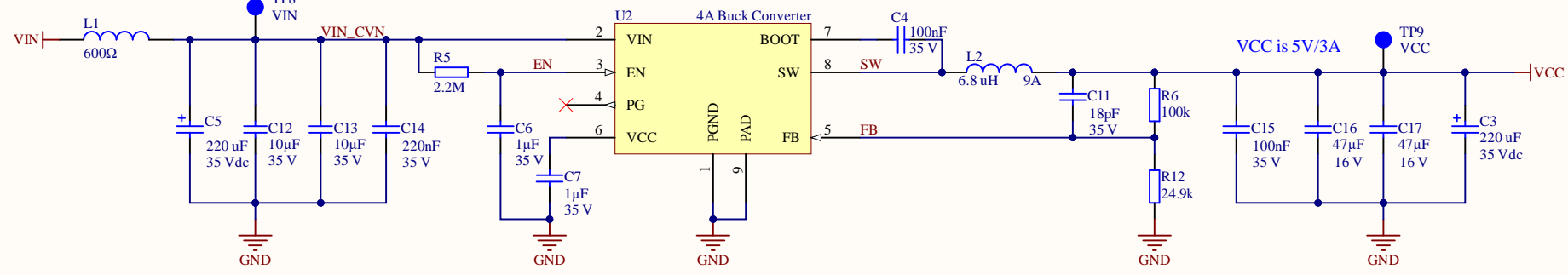




Title: Optical_RX.SchDoc		Technische Universität München TUM EAL	
Size: A4		Arcisstraße 21	
Revision: 3v01		80333 München	
Date: 11.03.2021		GERMANY	
Time: 20:25:12		Author: T. Kreppel	
Project: Digital_Optical_18Tx_14Tx4Rx_3vxx.PjPCB			



VIN is 12-24V



Title Power.SchDoc		Technische Universität München TUM EAL	
Size: A4		Arcisstraße 21	
Revision: 3v01		80333 München	
Date: 11.03.2021		GERMANY	
Time: 20:25:12		Author: T. Kreppel	
Project: Digital_Optical_18Tx_14Tx4Rx_3vxx.PrjPCB			

