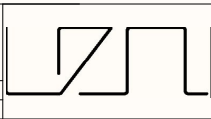


Title DigitalCarrierJack.SchDoc	
Revision: Rev02	Design Engineer: N. Erlemann / R. Zipprich
Project: UZ_D_Temperature_Card_LTC2983.PjPCB	

UltraZohm www.ultrazohm.com
Date: 13.09.2023
Sheet of 6



A

A

B

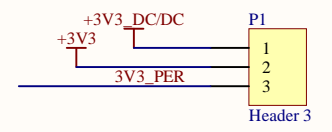
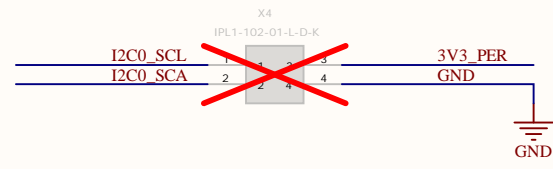
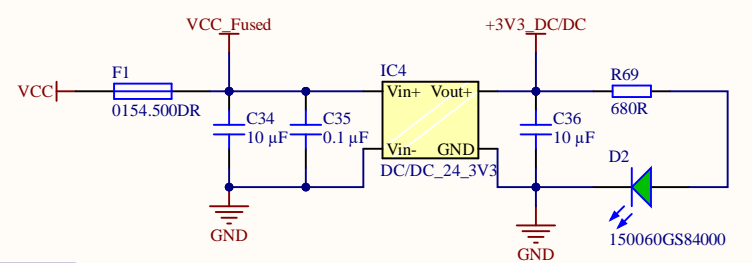
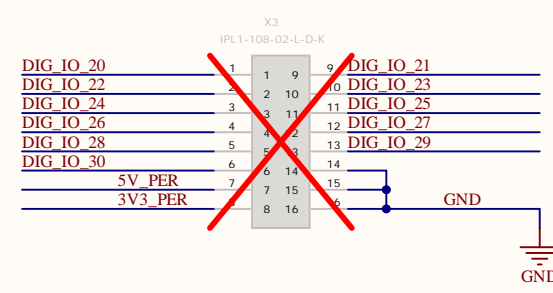
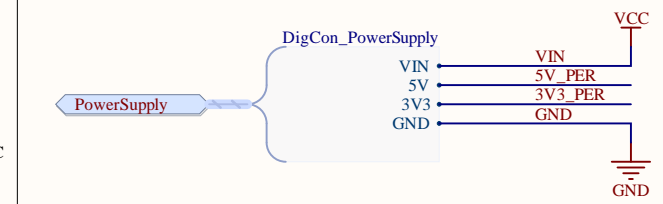
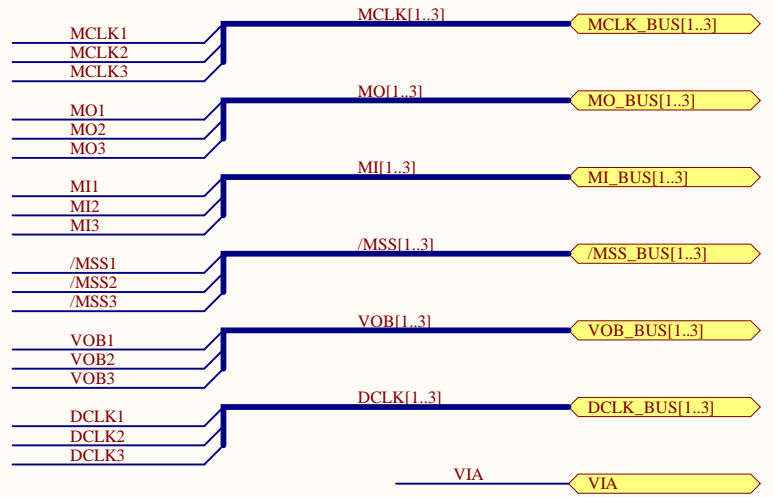
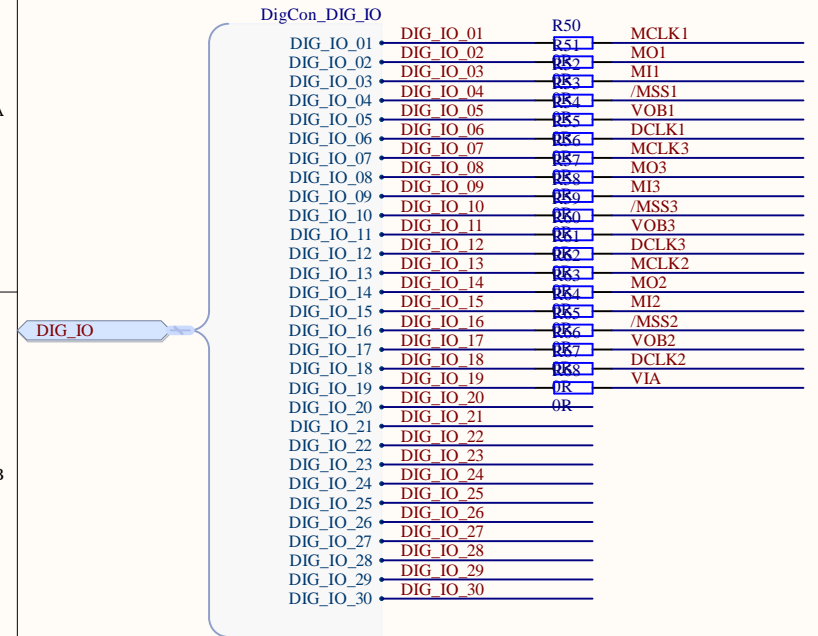
B

C

C

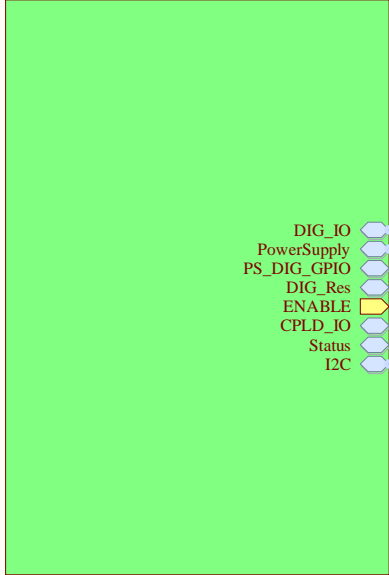
D

D

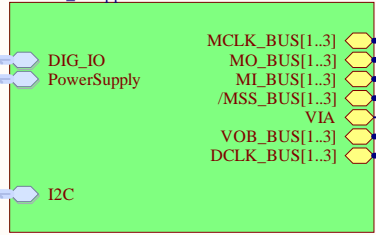


Title Harness_Wrapper.SchDoc		
Revision: Rev02	Design Engineer: N. Erlemann / R. Zipprich	
Project: UZ_D_Temperature_Card_LTC2983.PjPCB		
Date: 13.09.2023		Sheet of 6

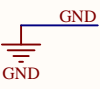
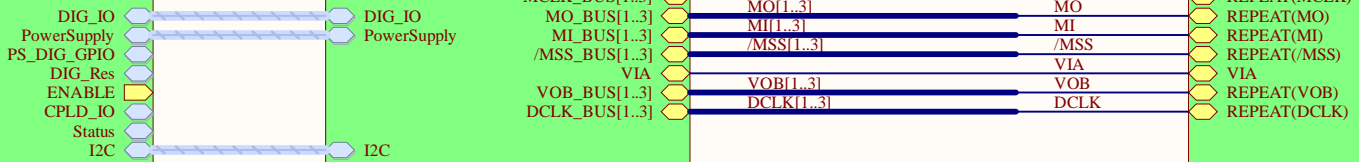
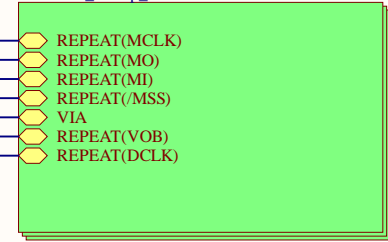
X1
DigitalCarrierJack



Harness_Wrapper
Harness_Wrapper.SchDoc



REPEAT(LTC_Channel,1,3)
LTC2983_Group_SchDoc



Project
ProjectRevision
AuthorParam
ProjectDate
Design Information



Title TopSheet.SchDoc		UltraZohm www.ultrazohm.com	
Revision: Rev02	Design Engineer: N. Erlemann / R. Zipprich		
Project: UZ_D_Temperature_Card_LTC2983.PjPCB		Date: 13.09.2023	
		Sheet of 6	