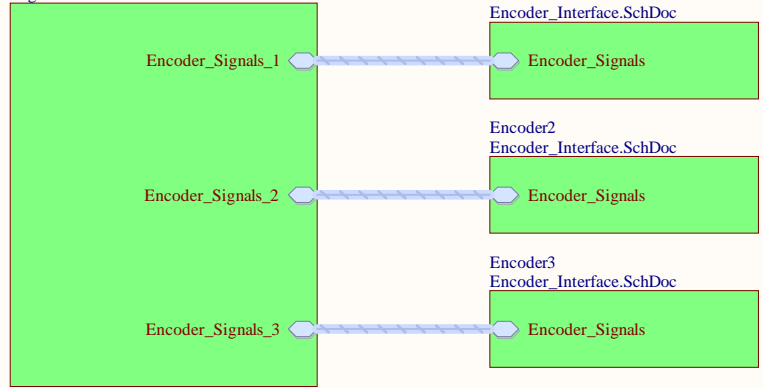


CarrierConnector
DigitalCarrierJack.SchDoc



LOGO1

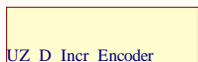


UZ Logo



Revision

Serial
Serial



UZ_D_Incr_Encoder
Project



Designer

Title TopSheet.SchDoc

Revision: Rev03

Design Engineer: Michaela Hlatky

Project: UZ_D_Incr_Encoder.PrjPCB

UltraZohm

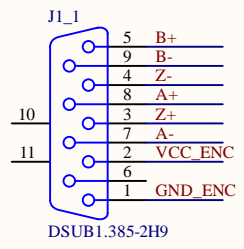
www.ultrazohm.com

Date: 07.06.2022

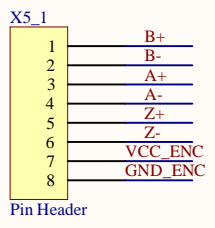
Sheet 1 of 5



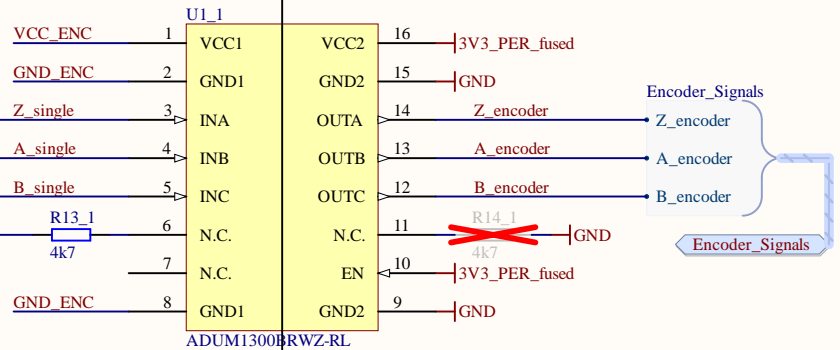
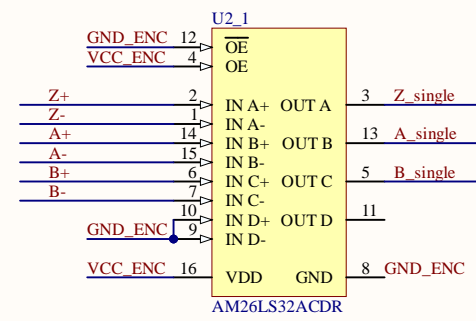
Encoder Input



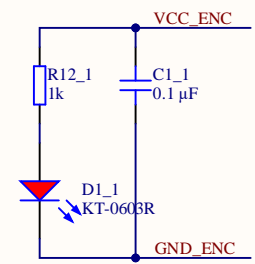
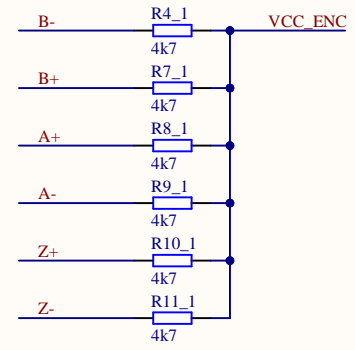
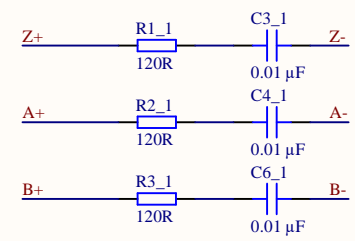
Label	Pin	Encoder	Color(Kübler)
Z+	Pin3	0+	blue
Z-	Pin4	0-	red
A+	Pin8	A+	green
A-	Pin7	A-	yellow
B+	Pin5	B+	grey
B-	Pin9	B-	pink
VCC_ENC	Pin2	UB	brown
GND_ENC	Pin1	0V	white
NC	Pin6	--	



Differential to Single-Ended



Termination

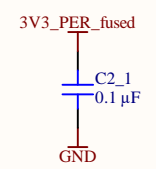


Alternatives:
 ISO7230
 ISO7240
 ISO7241

ADUM1300
 ADUM1400
 ADUM1401

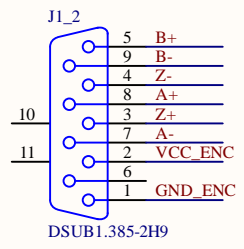
(different package!)
 ADUM1440
 ADUM1441

Make sure to connect the unused input to GND

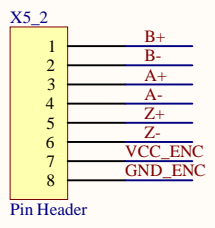


Title Encoder_Interface.SchDoc		UltraZohm www.ultrazohm.com	
Revision: Rev03	Design Engineer: Michaela Hlatky		
Project: UZ_D_Incr_Encoder.PrjPCB		Date: 07.06.2022	Sheet 3.1 of 5

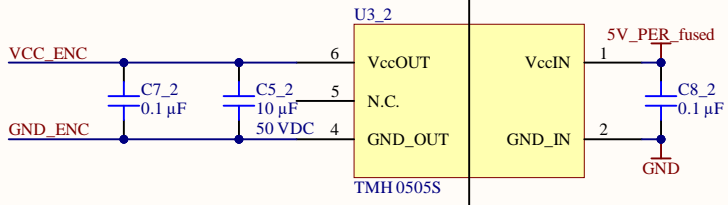
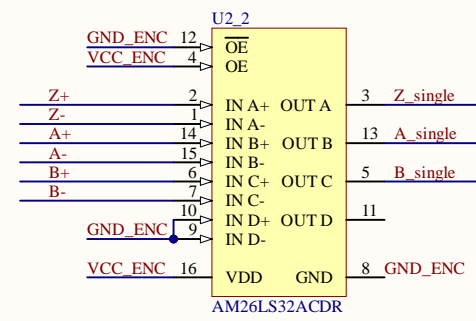
Encoder Input



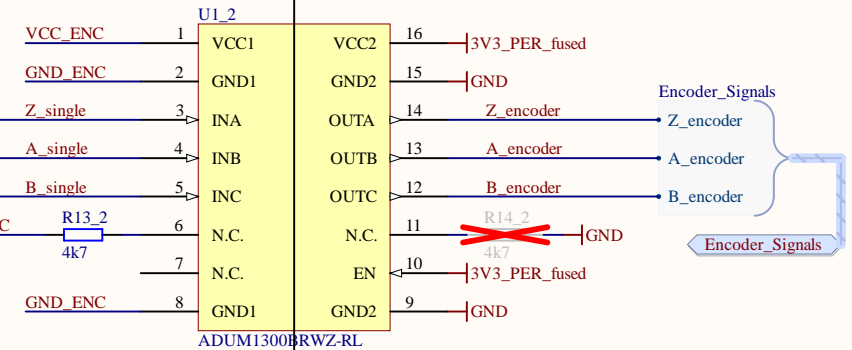
Label	Pin	Encoder	Color(Kübler)
Z+	Pin3	0+	blue
Z-	Pin4	0-	red
A+	Pin8	A+	green
A-	Pin7	A-	yellow
B+	Pin5	B+	grey
B-	Pin9	B-	pink
VCC_ENC	Pin2	UB	brown
GND_ENC	Pin1	0V	white
NC	Pin6	--	



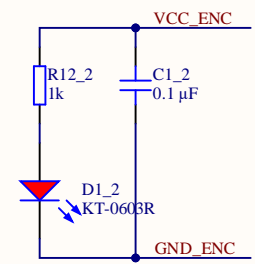
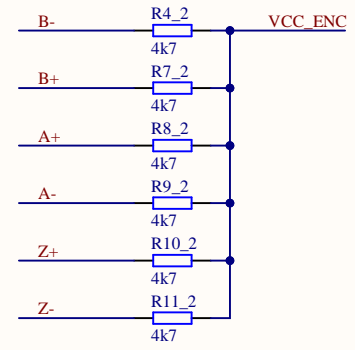
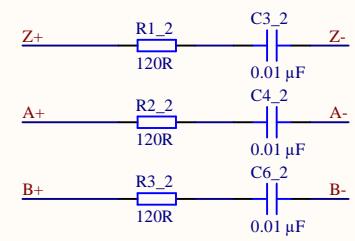
Differential to Single-Ended



Isolation Barrier



Termination

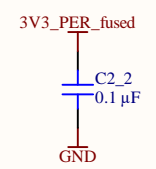


Alternatives:
 ISO7230
 ISO7240
 ISO7241

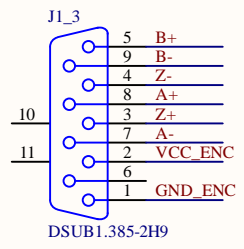
ADUM1300
 ADUM1400
 ADUM1401

(different package!)
 ADUM1440
 ADUM1441

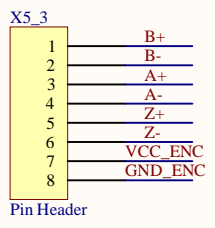
Make sure to connect the unused input to GND



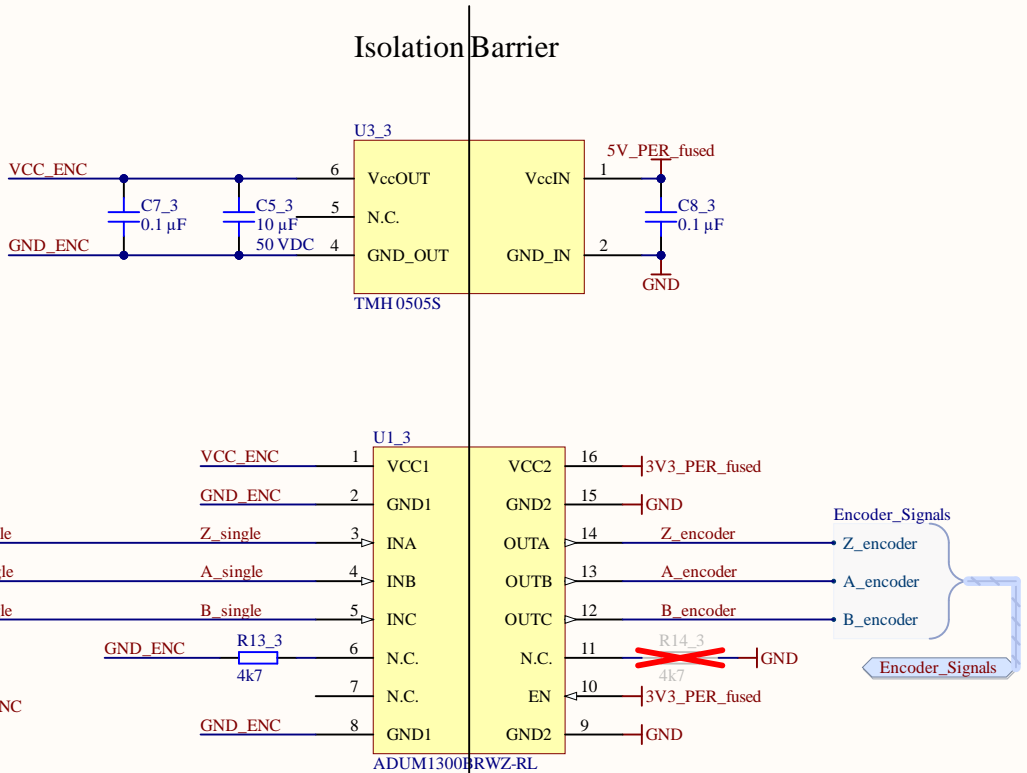
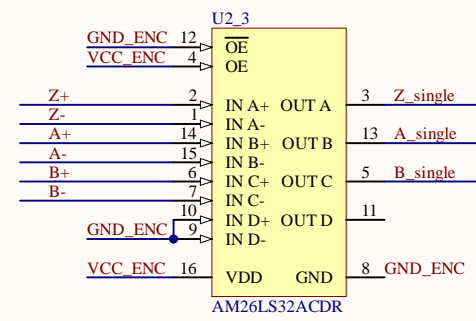
Encoder Input



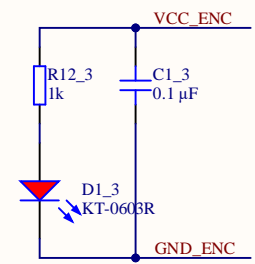
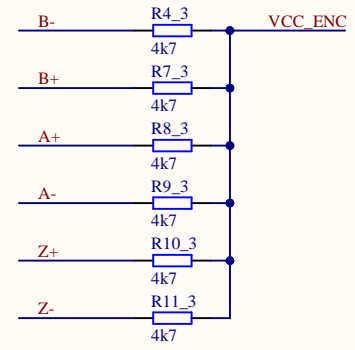
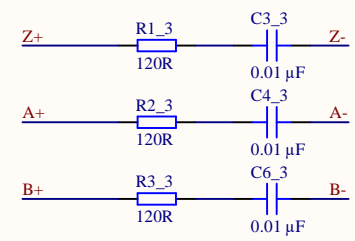
Label	Pin	Encoder	Color(Kübler)
Z+	Pin3	0+	blue
Z-	Pin4	0-	red
A+	Pin8	A+	green
A-	Pin7	A-	yellow
B+	Pin5	B+	grey
B-	Pin9	B-	pink
VCC_ENC	Pin2	UB	brown
GND_ENC	Pin1	0V	white
NC	Pin6	--	



Differential to Single-Ended



Termination



Alternatives:
 ISO7230
 ISO7240
 ISO7241

ADUM1300
 ADUM1400
 ADUM1401

(different package!)
 ADUM1440
 ADUM1441

Make sure to connect the unused input to GND

