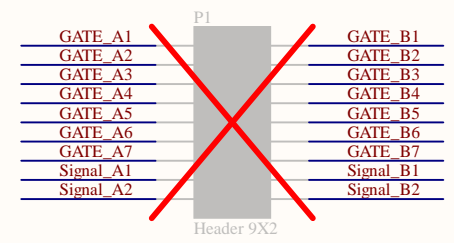
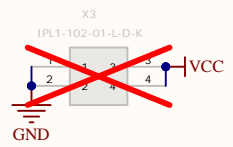
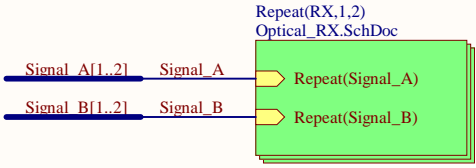
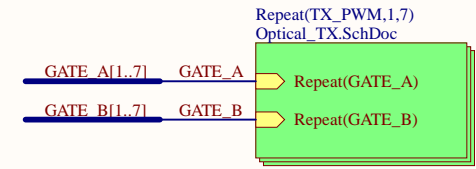
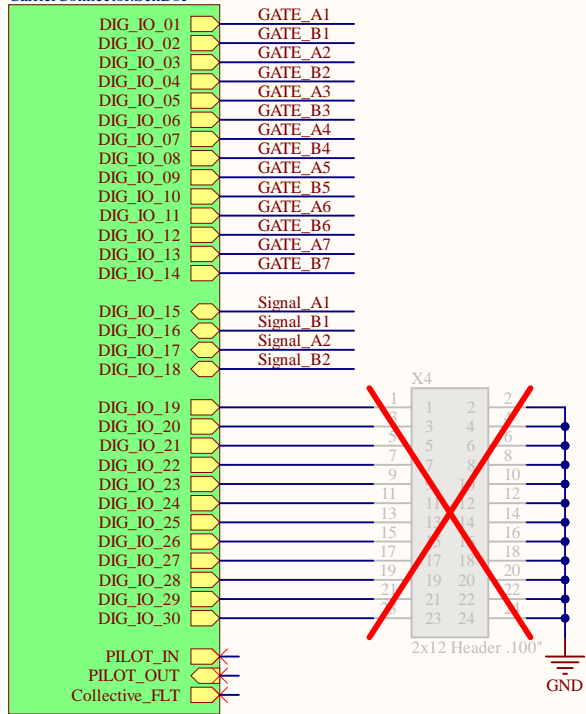
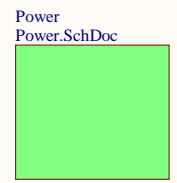


Connector
CarrierConnector.SchDoc



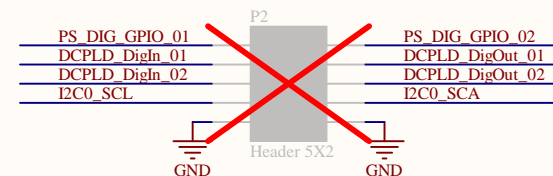
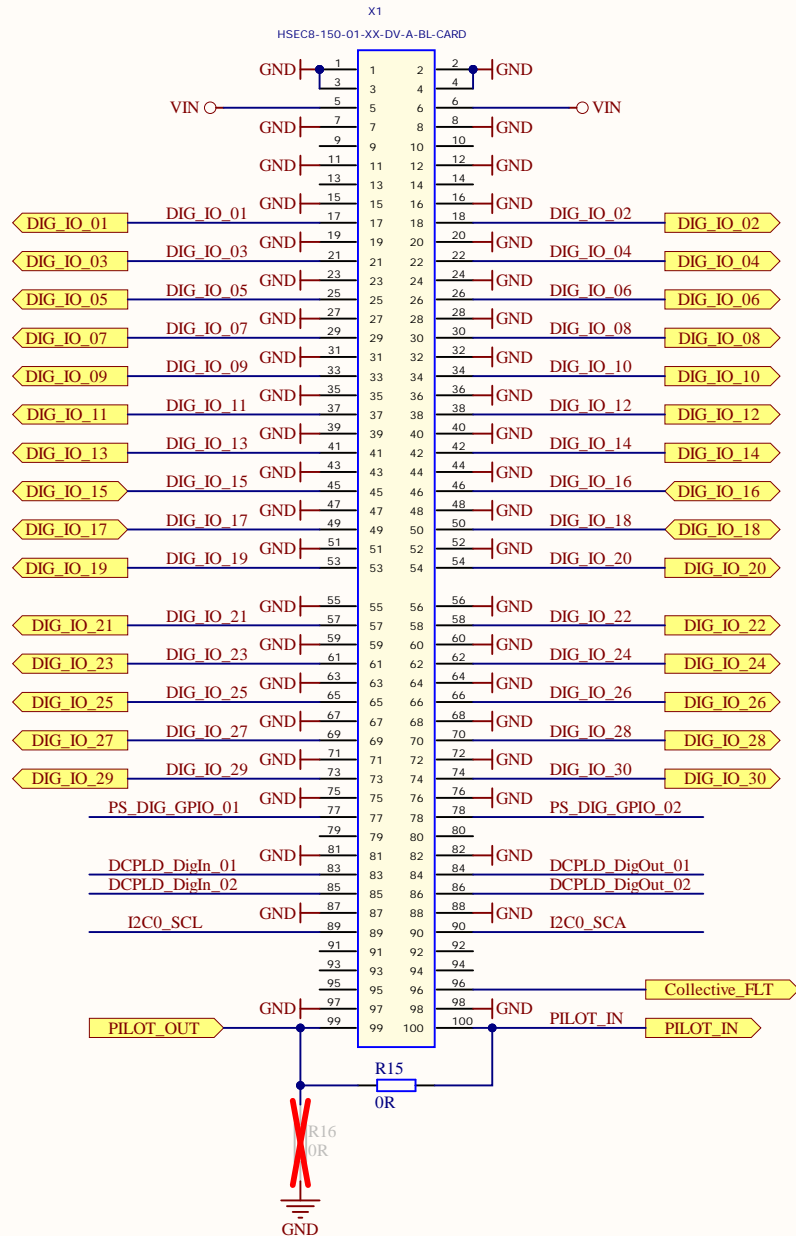
Serial1
Serial
Serialnumber 6,3 x 6.3mm
 ProjectName1
 Laser1
 Logo Laser
 Voll_Laser

Cannot open file
D:\FAU\box\Ultra-Zohm
(Sebastian)
Project Logo

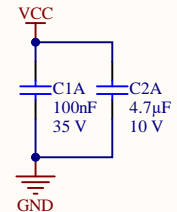
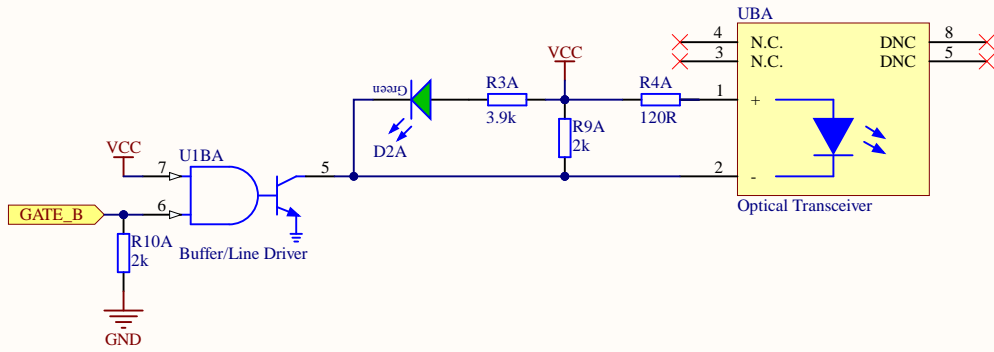
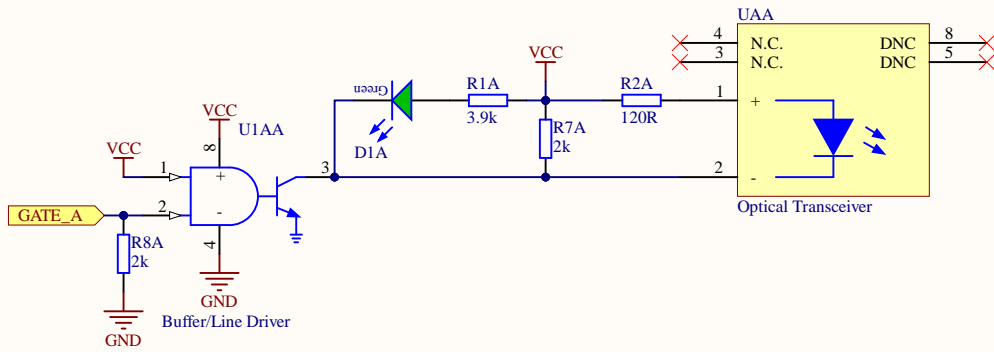


| | | | |
|---|--|--|--------------------|
| Title TopSheet.SchDoc | | Technische Universität München TUM EAL | |
| Size: A4 | | Arcisstraße 21 | |
| Revision: 3v01 | | 80333 München | |
| Date: 24.08.2020 | | GERMANY | |
| Time: 12:00:00 | | Sheet 1 of 12 | Author: T. Kreppel |
| Project: Digital_Optical_18Tx_14Tx4Rx_3vxx.PrjPCB | | | |



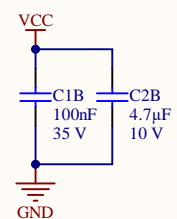
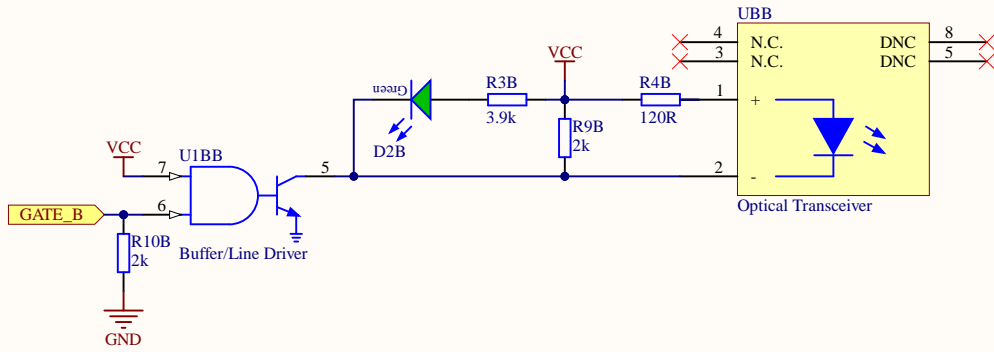
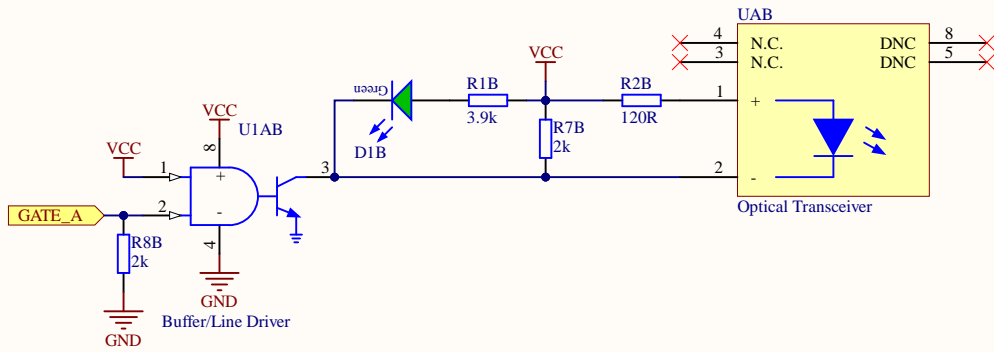


| | | | | |
|---|----------------|--|--------------------|--|
| Title CarrierConnector.SchDoc | | Technische Universität München TUM EAL Arcisstraße 21 80333 München GERMANY | | |
| Size: A4 | Revision: 3v01 | | | |
| Date: 24.08.2020 | Time: 12:00:00 | Sheet 2 of 12 | Author: T. Kreppel | |
| Project: Digital_Optical_18Tx_14Tx4Rx_3vxx.PrjPCB | | | | |



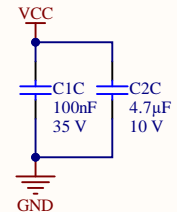
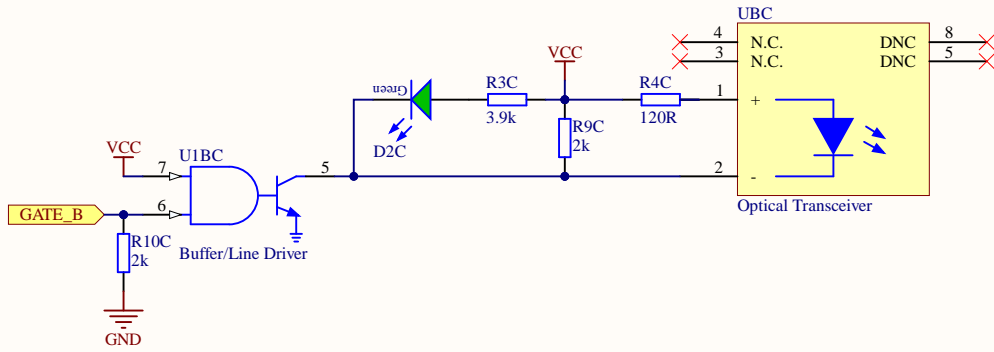
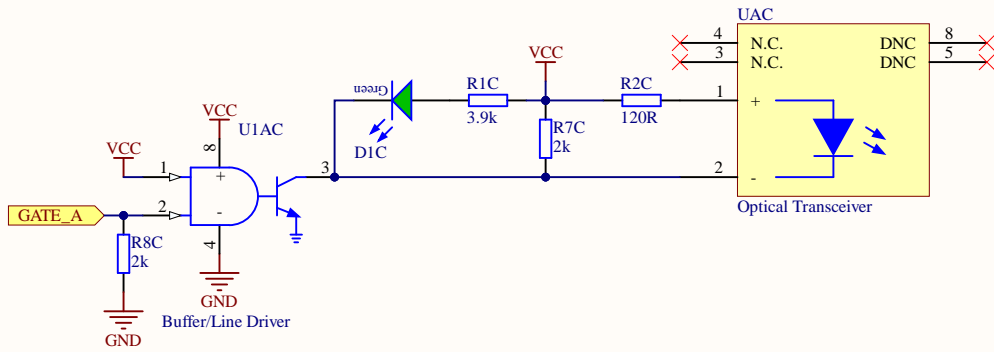
| | | | |
|---|--|--|--------------------|
| Title: Optical_TX.SchDoc | | Technische Universität München TUM EAL | |
| Size: A4 | | Arcisstraße 21 | |
| Revision: 3v01 | | 80333 München | |
| Date: 24.08.2020 | | GERMANY | |
| Time: 12:00:00 | | Sheet 4.1 of 12 | Author: T. Kreppel |
| Project: Digital_Optical_18Tx_14Tx4Rx_3vxx.PrjPCB | | | |





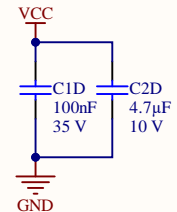
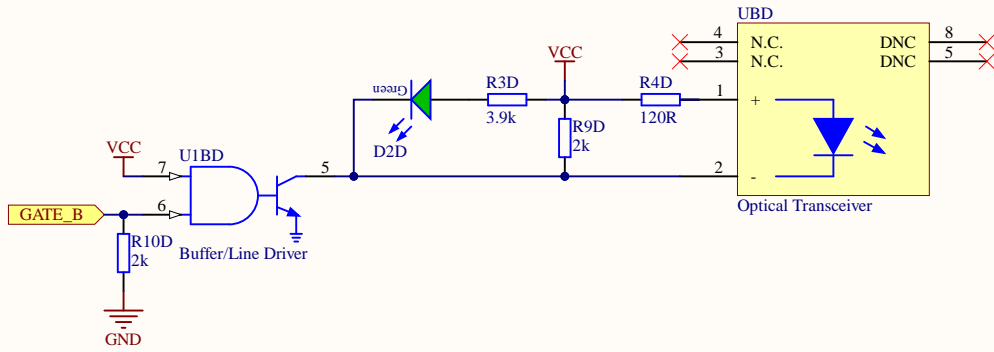
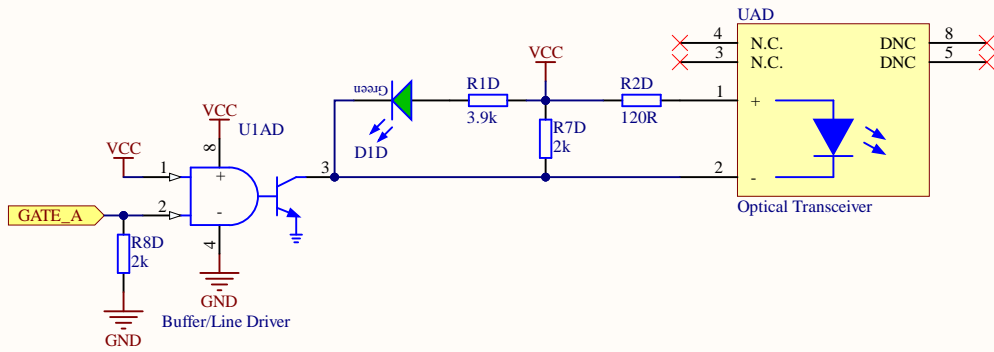
| | | | |
|---|--|--|--------------------|
| Title: Optical_TX.SchDoc | | Technische Universität München TUM EAL | |
| Size: A4 | | Arcisstraße 21 | |
| Revision: 3v01 | | 80333 München | |
| Date: 24.08.2020 | | GERMANY | |
| Time: 12:00:00 | | Sheet 4.2 of 12 | Author: T. Kreppel |
| Project: Digital_Optical_18Tx_14Tx4Rx_3vxx.PrjPCB | | | |





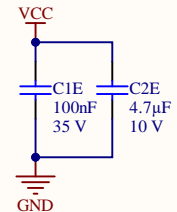
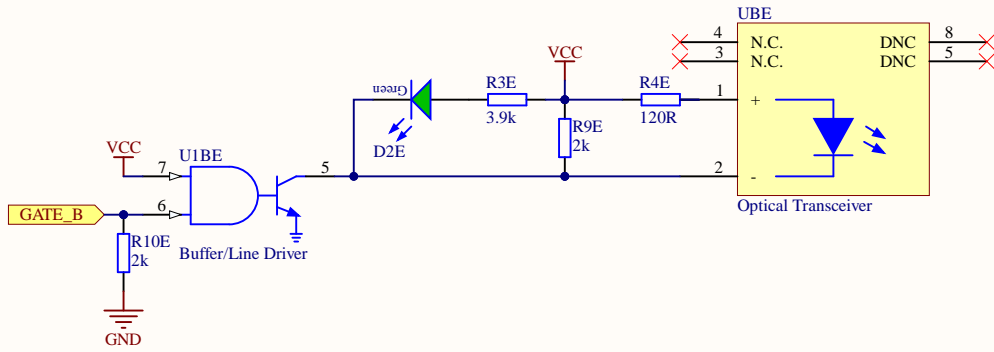
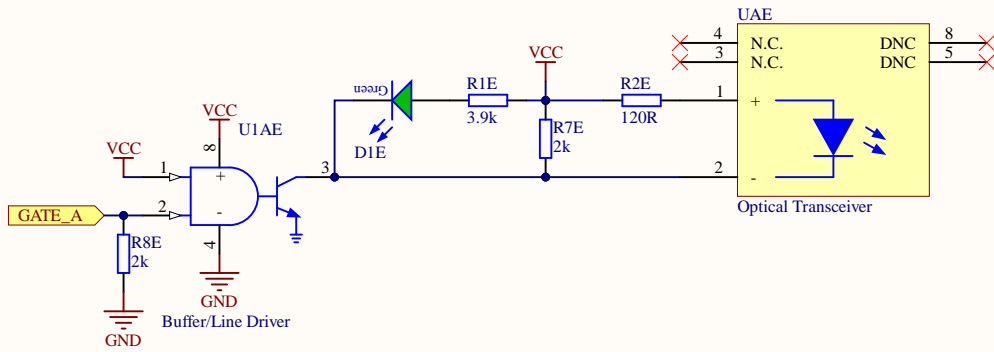
| | | | |
|---|--|--|--------------------|
| Title Optical_TX.SchDoc | | Technische Universität München TUM EAL | |
| Size: A4 | | Arcisstraße 21 | |
| Revision: 3v01 | | 80333 München | |
| Date: 24.08.2020 | | GERMANY | |
| Time: 12:00:00 | | Sheet 4.3 of 12 | Author: T. Kreppel |
| Project: Digital_Optical_18Tx_14Tx4Rx_3vxx.PrjPCB | | | |





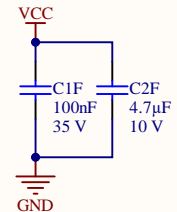
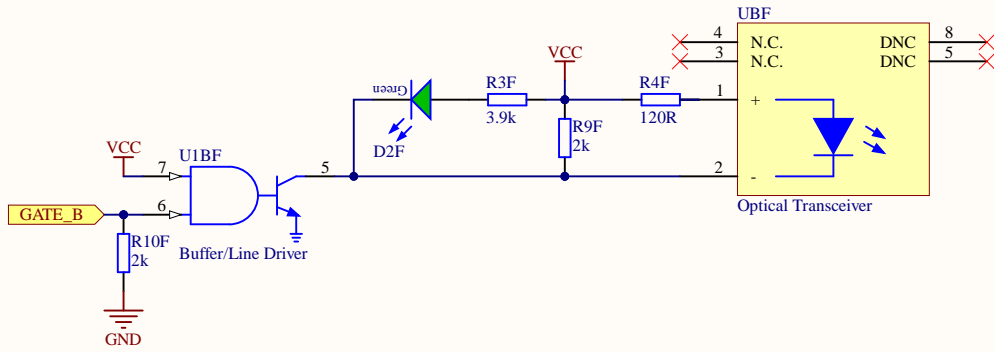
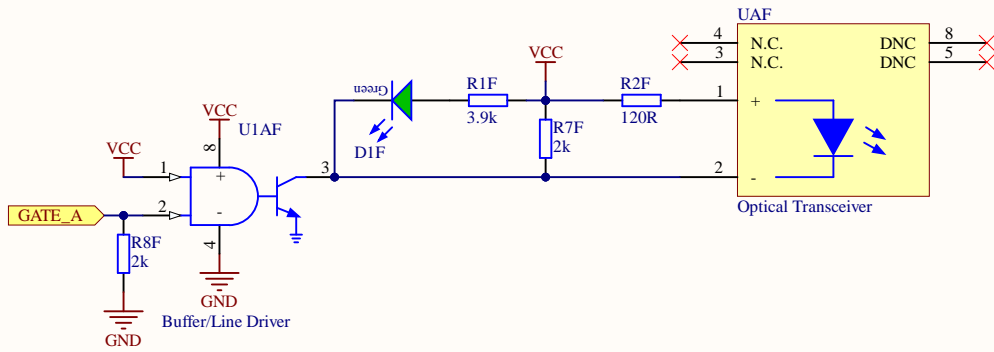
| | | | |
|---|--|--|--|
| Title Optical_TX.SchDoc | | Technische Universität München TUM EAL | |
| Size: A4 | | Arcisstraße 21 | |
| Revision: 3v01 | | 80333 München | |
| Date: 24.08.2020 | | GERMANY | |
| Time: 12:00:00 | | Author: T. Kreppel | |
| Project: Digital_Optical_18Tx_14Tx4Rx_3vxx.PrjPCB | | | |





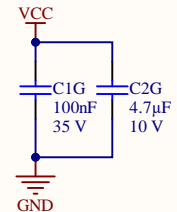
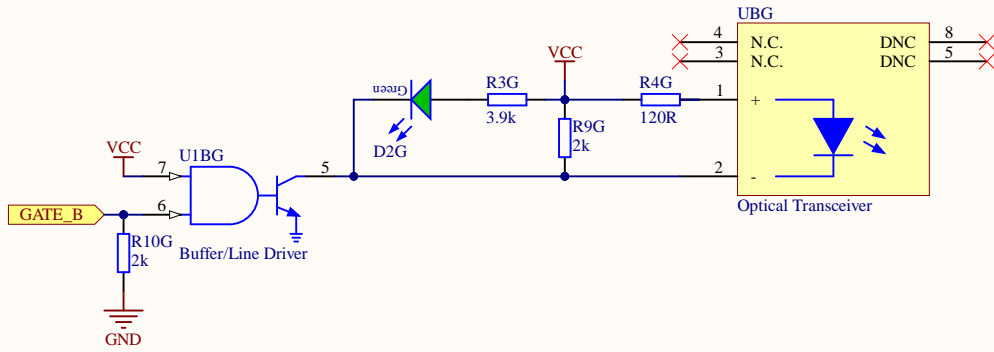
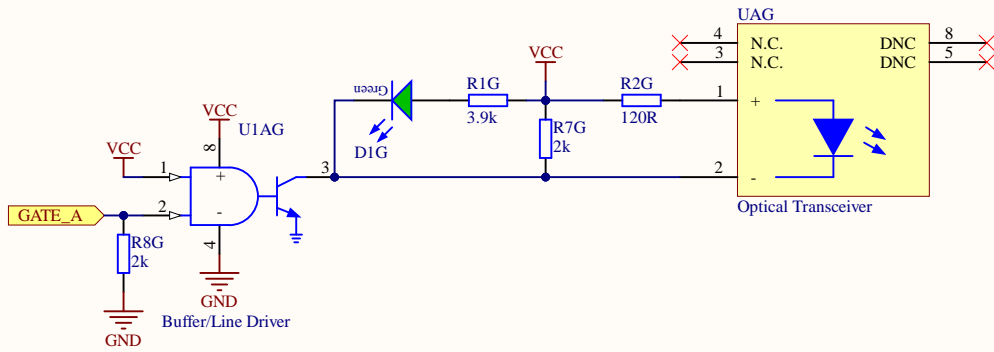
| | | | |
|---|--|--|--------------------|
| Title Optical_TX.SchDoc | | Technische Universität München TUM EAL | |
| Size: A4 | | Arcisstraße 21 | |
| Revision: 3v01 | | 80333 München | |
| Date: 24.08.2020 | | GERMANY | |
| Time: 12:00:00 | | Sheet 4.5 of 12 | Author: T. Kreppel |
| Project: Digital_Optical_18Tx_14Tx4Rx_3vxx.PrjPCB | | | |





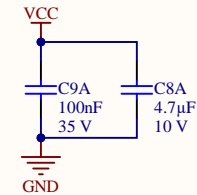
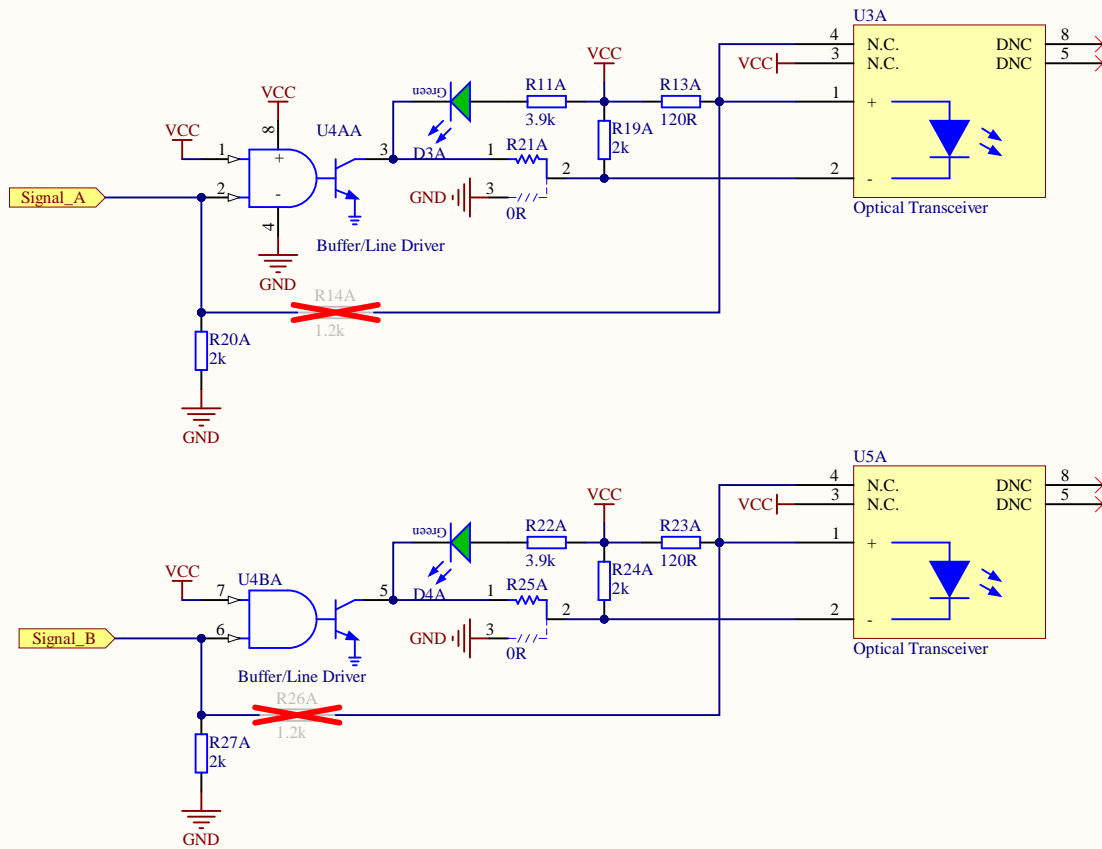
| | | | |
|---|--|--|--------------------|
| Title Optical_TX.SchDoc | | Technische Universität München TUM EAL | |
| Size: A4 | | Arcisstraße 21 | |
| Revision: 3v01 | | 80333 München | |
| Date: 24.08.2020 | | GERMANY | |
| Time: 12:00:01 | | Sheet 4.6 of 12 | Author: T. Kreppel |
| Project: Digital_Optical_18Tx_14Tx4Rx_3vxx.PrjPCB | | | |





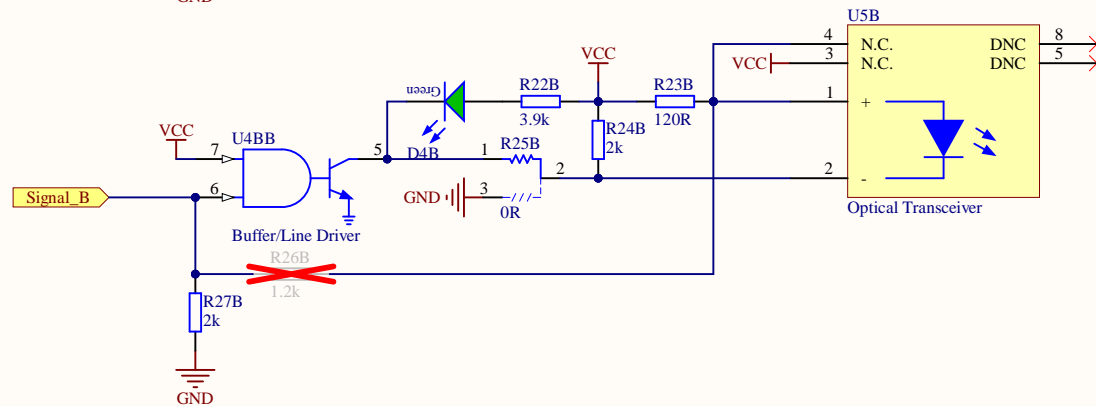
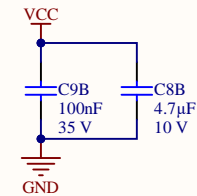
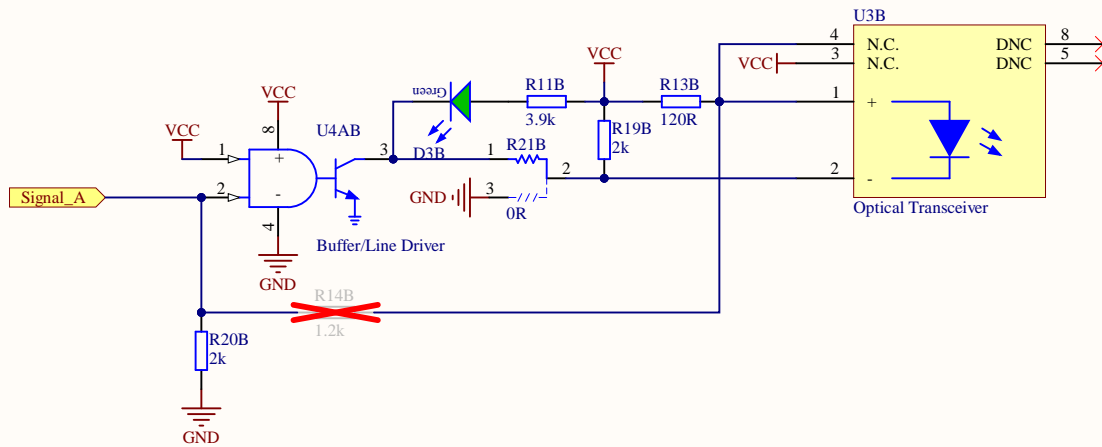
| | | | |
|---|--|--|--|
| Title Optical_TX.SchDoc | | Technische Universität München TUM EAL | |
| Size: A4 | | Arcisstraße 21 | |
| Revision: 3v01 | | 80333 München | |
| Date: 24.08.2020 | | GERMANY | |
| Time: 12:00:01 | | Author: T. Kreppel | |
| Project: Digital_Optical_18Tx_14Tx4Rx_3vxx.PrjPCB | | | |





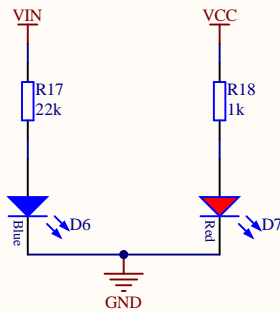
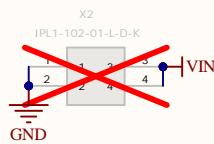
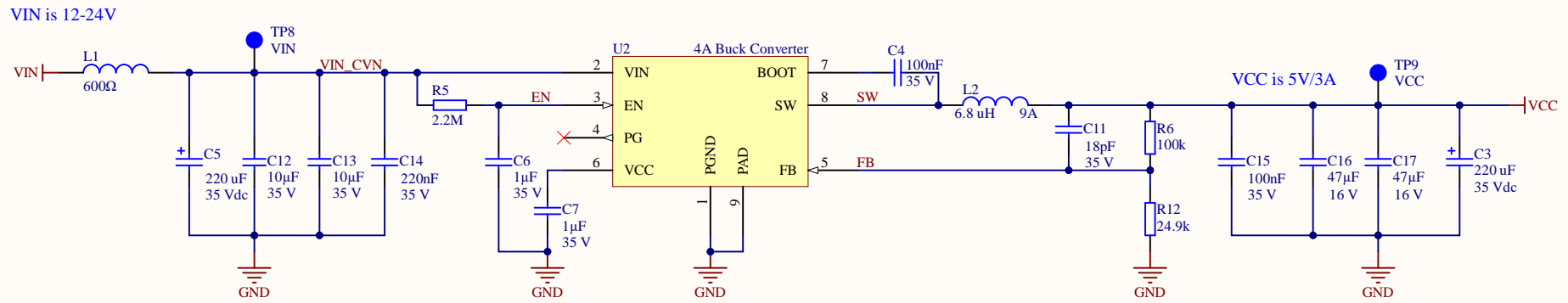
| | | | |
|---|--|--|--------------------|
| Title: Optical_RX.SchDoc | | Technische Universität München TUM EAL | |
| Size: A4 | | Arcisstraße 21 | |
| Revision: 3v01 | | 80333 München | |
| Date: 24.08.2020 | | GERMANY | |
| Time: 12:00:01 | | Sheet 5.1 of 12 | Author: T. Kreppel |
| Project: Digital_Optical_18Tx_14Tx4Rx_3vxx.PrjPCB | | | |





| | | | |
|---|--|--|--------------------|
| Title: Optical_RX.SchDoc | | Technische Universität München TUM EAL | |
| Size: A4 | | Arcisstraße 21 | |
| Revision: 3v01 | | 80333 München | |
| Date: 24.08.2020 | | GERMANY | |
| Time: 12:00:01 | | Sheet 5.2 of 12 | Author: T. Kreppel |
| Project: Digital_Optical_18Tx_14Tx4Rx_3vxx.PrjPCB | | | |





| | | | |
|---|--|--|--------------------|
| Title Power.SchDoc | | Technische Universität München TUM EAL | |
| Size: A4 | | Arcisstraße 21 | |
| Revision: 3v01 | | 80333 München | |
| Date: 24.08.2020 | | GERMANY | |
| Time: 12:00:01 | | Sheet 6 of 12 | Author: T. Kreppel |
| Project: Digital_Optical_18Tx_14Tx4Rx_3vxx.PrjPCB | | | |

